

Sacred Heart of Jesus Cemetery

P.O. Box 104
MARMORA, ONTARIO
K0K 2M0

30 Sep. 1992



Mrs Carol Burke
509 Chamberlain St
Peterborough, Ontario
K9T 4L3

Dear Carol;

The following information is in response to your query concerning the Burke family. I have searched all the available records belonging to our Church on baptisms, confirmations, marriages and death's.

- * John Burke
 - married around 1880 (approx guess)
 - to a Sarah Downes
 - no record of the date & place of this marriage in our Church records.
 - had a son named Thomas Burke
- * Thomas Burke
 - married on 16 Jun 1902
 - to a Mary Agnes Williamson
 - at the Sacred Heart Parish, Marmora Ontario
 - her father's name was Thomas Williamson
 - her mother's name was ~~Harriet Derios~~ *Derios*
- * William Burke
 - married a girl named Margaret ^{*Samuel Caskey*} (~~no surname~~)
 - no record of their marriage in our Church records
 - William was buried on 9 Jan 1934
 - at the Sacred Heart Cemetery, Marmora
 - Margaret born in 1893
 - died on 24 Oct 1946
 - age 53 (Church records confirm this fact)
 - Margaret buried at the Sacred Heart Cemetery, Marmora
- * William Burke
 - born in 1917
 - married on 19 Nov 1938
 - to a Carma Mary Young
 - at the Sacred Heart Parish, Marmora
 - his father was William Burke
 - his mother was Margaret Caskey
 - died 31 Dec 1982

*John Burke
Sarah
Downes*

Sacred Heart of Jesus Cemetery

P.O. Box 104
MARMORA, ONTARIO
K0K 2M0



- * William Burke - Carma Mary Young born in 1920
(continued) - her father's name was Thomas Young
- her mother's name was Sarah Archer
- flat marker in our cemetery has her name engraved on it.

- * Clayton A, Burke - son of William & Carma
- flat marker was name engraved on it in our Cemetery.
- born in 1940
- no record of this in the baptisms section.

- * *Alfred* Albert Burke - born in Oct 1929
- died 11 Mar 1930
- age 6 months (Church records confirm this fact)
- buried at the Sacred Heart Cemetery, Marmora
- parents lived in the village of Deloro.

Questions;

- a) Will Carma be buried in our cemetery at Marmora?
- b) What side is Albert Burke from?
- c) Do you have any obituaries from the Burke's family?
- d) Could you work on the Burke family tree for me?

Information;

The Burke's family plot (6) is located in the Centre Section of the Cemetery on what is referred to as lot 38.

I suspect that lot 38 was purchased in the 1930's as lots surrounding the Burke's have burial dated as follows;

Patrick Marrian - died 1925 ; Elizabeth Marrian - died 1937;
Frances Calley - died 1936; Gordon James - died 1944 and
Patrick Doyle - died 1927.

Sacred Heart of Jesus Cemetery

P.O. Box 104
MARMORA, ONTARIO
K0K 2M0



I have received confirmation from our cemetery grounds maintenance man that William & Margaret Burke were also buried in lot 38. Although it is recorded as a 6 family plot, there is only enough space remaining for two more burials.

Is it the families intention to have both Carma and Clayton buried in these last two lots?

Does the family intend to have a flat marker installed for Mike's parents? It would be a beautiful thought. If so, enclosed are the Cemetery By-Laws, dated Apr 1992. Pay close attention to rule 11. Burials for lot 38 are as indicated below

--	--	--	--	--

William Carma Clayton William Margaret

Hoping to hear from you soon.

Yours truly;

A handwritten signature in cursive script that reads "G. Belanger".

Gerald Belanger
Marmora Ontario
Box 431 KOK 2M0

613-472-2314

P.S The family I was referring to was the Burkitt's. He worked in our cemetery and she was our school nurse.

BURKE FAMILY TREE

OCTOBER, 1994

3. WILLIAM BURKE (cont'd) - married Margaret ^{Empsey} ~~Caskey~~
- Margaret born 1894 (approx) ^{Albert Empsey & Carolyn Cooper}
 - Margaret's parents ; ~~John Caskey & Carrie Cooper~~
 - Margaret died 24 October, 1946
 - Margaret buried at Sacred Heart Cemetery, Marmora, Ontario Centre Section, Lot 40
 - no monument
 - known children ; William; Martin ; Edward ; Patrick ;
Michael ; Alfred ; Joseph

CHILDREN OF WILLIAM BURKE & MARGARET ^{Empsey} ~~CASKEY~~

WILLIAM BURKE

- born 1917
- died 31 December, 1982
- buried at Sacred Heart Cemetery, Marmora, Ontario Centre Section, Lot 38
- married Carma Mary Young
- on 19 November, 1938 at Sacred Heart Church, Marmora Ont
- Carma born 1920
- Carma's parents ; Thomas Young & Sarah Archer
- Carma to be buried at Sacred Heart Cemetery, Marmora Ont Centre Section, Lot 38
- known children ; Thomas William Burke
Clayton Alfred Burke
Fay Irene Mary Burke

MARTIN BURKE

- born 1920 (approx)
- confirmed 13 Sept, 1933 at Sacred Heart Church, Marmora Ont

BURKE FAMILY TREE

OCTOBER, 1994

CHILDREN OF WILLIAM BURKE & MARGARET ~~CASKEY~~ ^{Burke}

EDWARD BURKE

- born 1921 *6 Feb* *d 10 Feb 1988*
- confirmed 13 September, 1933 at Sacred Heart Church, Marmora
- married Rita Nolan
- known children ; Gary Edward Burke

PATRICK BURKE

- born 1924 (*7 Mar* approx), *Paul Colborne* *13 Mar 1924 Marmora Herald*
- confirmed 19 May, 1937 at Sacred Heart Church, Marmora Ontario

MICHAEL BURKE

- born 21 June, 1926
- bapt 10 December, 1933 at Sacred Heart Church, Marmora Ont
- confirmed 19 May, 1937 at Sacred Heart Church, Marmora Ont
- married Caroline Myrtle Loxton
- on 25 November, 1950 at Lourdes Church, Toronto, Ont

ALFRED BURKE

- born October, 1929
- died 11 March, 1930
- buried at Sacred Heart Cemetery, Marmora, Ont
old South Section, Panel 5
- unmarked grave No monument

JOSEPH BURKE

- born 5 November, 1933
- bapt 10 December, 1933 at Sacred Heart Church, Marmora Ont
- confirmed 3 Sept, 1944 at Sacred Heart Church, Marmora Ont
- married Isabel Johnson Campbell
- on 3 August, 1957 at Holy Name Church, Flinton, Ontario

BURKE FAMILY TREE

OCTOBER, 1994

CHILDREN OF WILLIAM BURKE & CARMA MARY YOUNG

THOMAS WILLIAM BURKE - born 18 December, 1939, Marmora, Ont
- bapt 14 April, 1940 at Sacred Heart Church, Marmora, Ont

CLAYTON ALFRED BURKE - born 30 December, 1940
- bapt 8 June, 1941 at Sacred Heart Church, Marmora, Ont
- married Carol ????? (spelling)
- on 2 September, 1961 at Port Hope, Ont

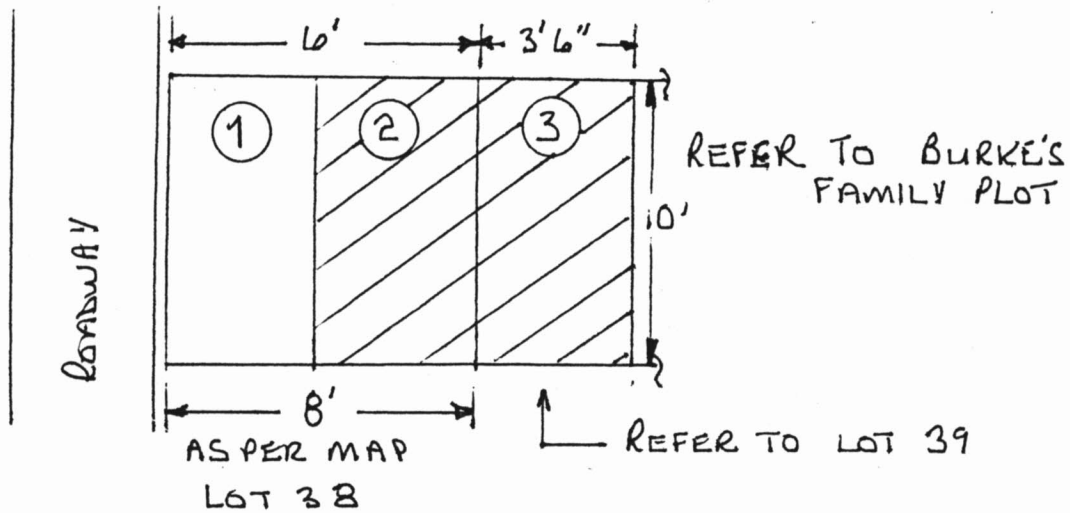
FAY IRENE MARY BURKE - born 8 April 1942, marmora
- bapt 16 Jan, 1944 at Sacred Heart Church, Marmora, Ont
- married James Baddison (spelling)
- on 30 September, 1961 at Port Hope , Ontario

BURKE FAMILY TREE

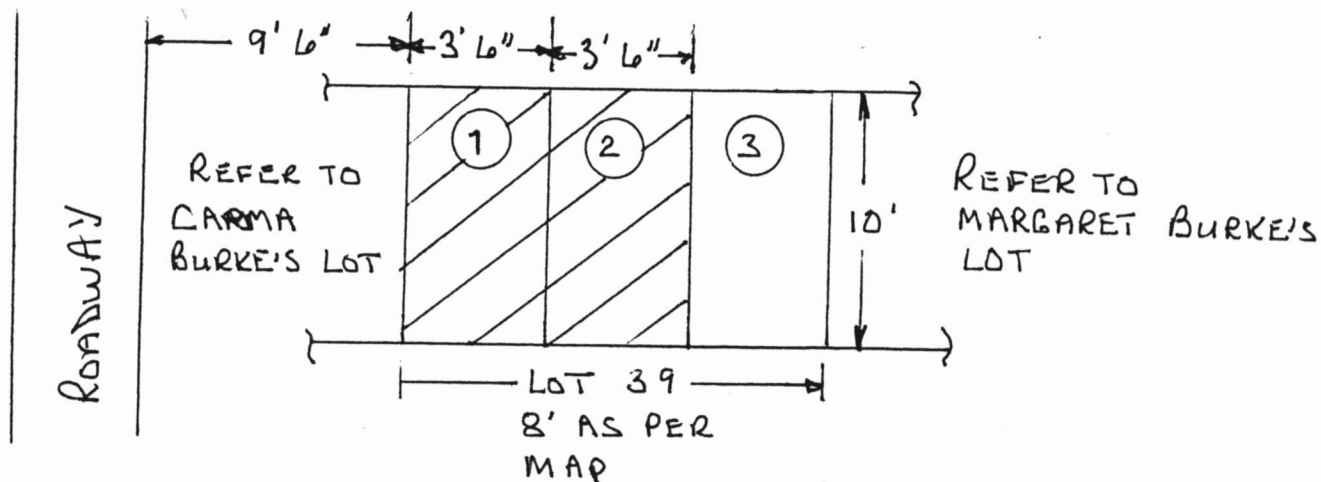
OCTOBER, 1994

CHILDREN OF EDWARD BURKE & RITA NOLAN

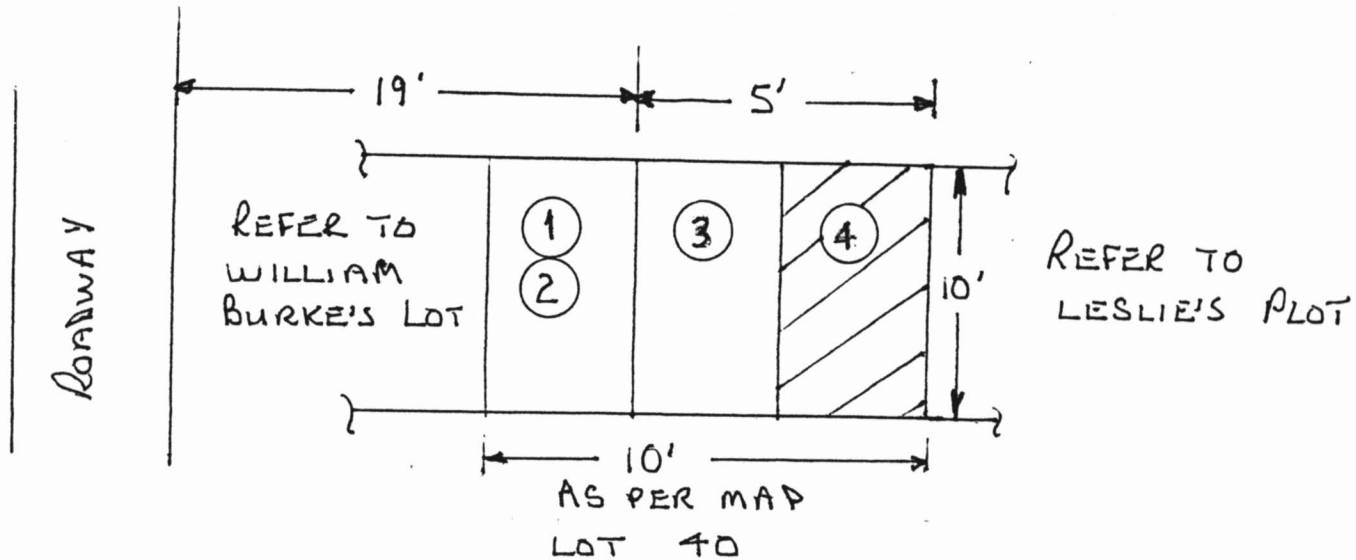
- GARY EDWARD BURKE
- born 7 August, 1945, Belleville, Ontario
 - bapt 22 August, 1945 at Sacred Heart Church, Marmora, Ont
 - married Mary Anne Jane Parks
 - on 14 October, 1967 at St John's Church, Flinton, Ontario



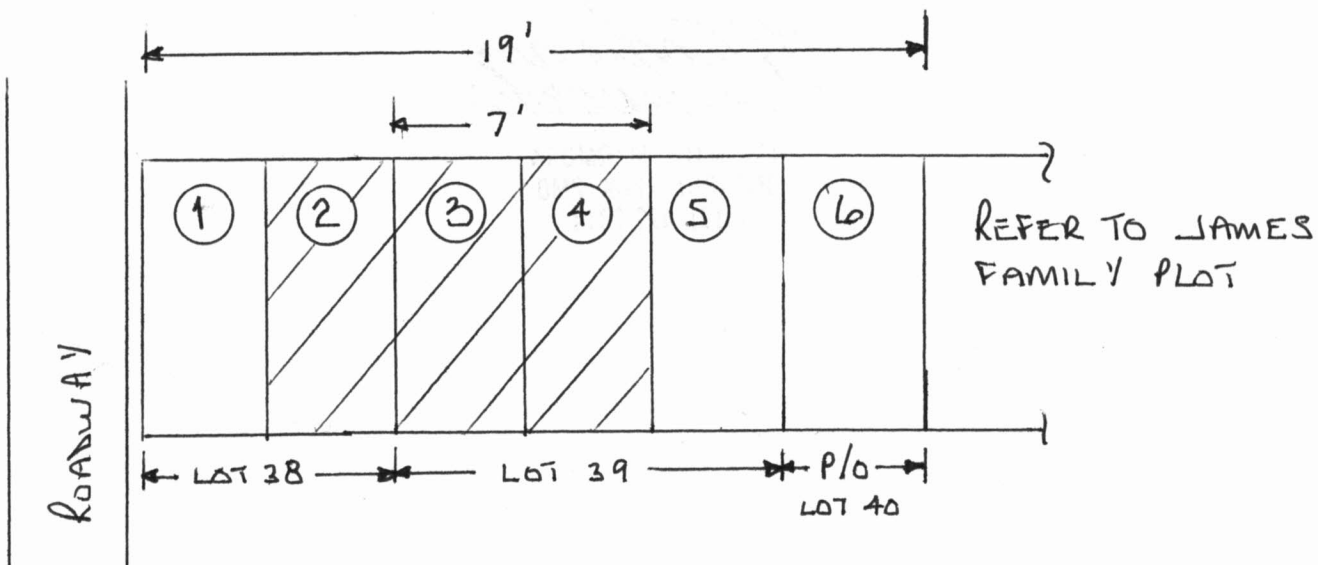
- ① WILLIAM BURKE - born 1917
 - died 31 December, 1982
 - buried at Sacred Heart Cemetery, Marmora Ontario
 - Centre Section, Lot 38
 - parents ; William Burke & Margaret Caskey
 - married Carma Mary Young
- ② CARMA MARY BURKE - nee Young
 - born 1920
 - Lot 38 reserved for Carma
 - parents ; Thomas Young & Sarah Archer
- ③ CLAYTON A. BURKE - son of William & Carma
 - born 30 December, 1940
 - Lot 39 reserved for Clayton Burke
 - flat marker for William, Carma & Clayton
 - cornerposts for the entire Burke family installed marked " BURKE "



- ① CLAYTON ALFRED BURKE - born 30 December, 1940
 - Lot 39 reserved for Clayton Burke
 - parents ; William Burke & Carma Mary Young
- ② SPARE BURIAL LOT - reserved for a member of the Burke family
- ③ WILLIAM BURKE - born 1890 (approx)
 - died 7 January, 1934
 - buried at Sacred Heart Cemetery, Marmora Ontario
 - Centre Section, Lot 39
 - parents ; John Burke & Sarah Downes
 - married Margaret Caskey
 - no monument (area unmarked)



- ① MARGARET BURKE
- nee Caskey
 - born 1893 (as per burial church records)
 - born 25 April, 1904 as per church baptism records
 - died 24 October, 1946
 - buried at Sacred Heart Cemetery, Marmora Ont
 - Centre Section, Lot 40
 - parents ; John Caskey & Carrie Cooper
 - married William Burke
 - no monument (area unmarked)
- ② ALFRED BURKE
- born October, 1929
 - died 11 March, 1930
 - buried at Sacred Heart Cemetery, Marmora Ont
 - parents ; William & Margaret Burke
- ③ GORDAN BENJAMIN JAMES
- born 1922 (approx)
 - died 13 June, 1984
 - buried at Sacred Heart Cemetery, Marmora Ontario
 - Centre Section, Lot 40
 - Private in R.C.A M.C
 - married Marguerite ???
 - military flat marker no cornerposts
- ④ MARGUERITE JAMES
- nee ????
 - reserved for Marguerite Lot 40



- ① WILLIAM BURKE - 1917 / 1982
- married Carma Mary Young
- ② CARMA MARY BURKE - nee Young
- 1920 /
- ③ CLAYTON ALFRED BURKE - son of William & Carma
- reserved for Clayton Burke
- 1940 /
- ④ SPARE BURIAL LOT - reserved for a member of the Burke family
- ⑤ WILLIAM BURKE - 1890 / 1934
- married Margaret Caskey
- no monument
- ⑥ MARGARET BURKE - nee Caskey
- 1893 / 1946

NOTE; A cemetery map shows that a baby was buried at the Burke family plot

~~Birthdates for # 5 & # 6 have NOT been finalized~~

Sacred Heart of Jesus Cemetery

P.O. Box 104
MARMORA, ONTARIO
K0K 2M0

BURKE'S FAMILY TREE

OCTOBER, 1994



1831 - 1925
22 Mar

*buried Stirling
Catholic Cemetery*

1844 - 1926

JOHN BURKE - born 1854 (approx)
- married Sarah Downes
- known children; Margaret Burke
Thomas Burke
William Burke

Elizabeth - born 4 Nov 1870

CHILDREN OF JOHN BURKE & SARAH DOWNES

1. MARGARET BURKE - born 1876 (approx)
- married Matthew Maloney
- known children;
James Vincent Maloney - born 22 July, 1896
- bapt 16 Aug, 1896 at Sacred Heart Catholic Church, Marmora, Ontario
- married Ann James
- on 14 August, 1914 at Belleville, Ont

Mary Kathleen Maloney - born 10 November, 1898
- bapt 20 Nov, 1898 at Sacred Heart Catholic Church, Marmora, Ontario
- buried 5 Jan 1911 at Stirling Cemetery.

*bapt 3 Mar 1872 SHC Marmora
8 Dec 1872*

2. THOMAS BURKE - born 1876 (approx)
- married Mary Agnes Williamson
- on 16 June, 1902 at Sacred Heart Church, Marmora, Ontario
- Mary's parents; Thomas Williamson & Harriet Derois

*Good parish
Thomas + Anne
Agnes*

3. WILLIAM BURKE - born 1890 (approx)
- ¹⁸⁸³buried ~~17~~ January, 1934
- buried at Sacred Heart Cemetery, Marmora Ontario Centre Section, Lot 39
- no monument

Peter
Murphy

On December twenty fourth, one thousand eight hundred and seventy, I, baptys Peter aged
two years, son of the lawful marriage of Thomas Murphy and Anne O'Rourke
Sponsors. Edward and Mary Anne O'Sullivan
106 Thomas Davis

Delmat
Lamorett

On Sunday December twenty fifth one thousand eight hundred and seventy, I, the undersigned baptys
Delmat son December twenty sixth, ult. of the lawful marriage of Antoine Lamorett
and Philomene Conyjer. Sponsors. Peter Conyjer and Delmat LeLent.
106 Thomas Davis

Mary Ann
William

On Sunday December, twenty fifth one thousand eight hundred and seventy, I, the undersigned
Baptys Margaret born July twelvly second, ult. of the lawful marriage of John
William and Mary Cassidy. Sponsors. Mr and Mrs Christopher Cassidy.
107 Thomas Davis

George
Broome

On Sunday December, twenty sixth, one thousand eight hundred and seventy, I, the undersigned
Priest baptys George born eighth, ult. of the lawful marriage of George Broome and
Anne McKeon. Sponsors Dominick and Sarah Broome.
108 Thomas Davis

Elizabeth
Clarke

On December thirtieth one thousand eight hundred and seventy, I, the undersigned Priest
baptys Elizabeth born sixth December. ult. of the lawful marriage of John Burke
and Sarah Downing. Sponsors. Denis Maloney and Bridget Kirby.
Thomas Davis

Sept 20th 1869 baptys Frances born the 15th ult of the lawful marriage of Thomas
of Thomas Murphy and Catherine Keenan. Sponsors Samuel McCormack and Johanna
On August 24th 1870 baptys Charles born the 14th ult. of the lawful
marriage of Joseph Keenan and
I give notice of the marriage of
Thomas Davis

Marriages of 1869

and
1870 -

Thomas Blanchet
and
Mary Anne Ver-
delean

On Sunday August the twenty second, one thousand eight hundred and seventy nine
I, the undersigned Priest after three publications, received the mutual
Consent to marriage of Thomas Blanchet and Mary Anne Verdelean.
2 Thomas Davis

Joseph
Deleone

On Sunday Sept 9th the undersigned received the mutual consent to marriage of
Joseph Deleone and Sarah Anne Deleone. Noted William Deleone and some
of the witnesses. I received the public consent in the marriage

The undersigned received the mutual consent

OBITUARY

George Edward Empey

George Edward Empey of Forsyth Street passed away at Belleville General Hospital Oct. 18. He was 82.

Mr. Empey was the dear husband of Minnie (Deline), and the father of Margaret Maynes and Betty Anderson, both of Marmora. He was predeceased by his son James.

Mr. Empey was the beloved grandfather of seven grandchildren and 10 great-grandchildren.

Born in Marmora to Albert Empey and Carolyn Cooper, George Empey had seven brothers and sisters. He is survived by Mildred Dyer of Belleville and

predeceased by Maggie Burke of Deloro, Rachel Pickup of Toronto, Henry and Jim of Marmora, and Willy and Johnnie O'Brien of Cloyne.

Mr. Empey was educated in Marmora and Deloro. He was in business for himself as the operator of George Empey Sand and Gravel.

Services for Mr. Empey were held Oct 22 at 11 a.m. at St. Paul's Anglican Church, officiated by Reverend Gordon Walls.

Grandsons Mike Carter, Michael Thorne, Trevor Winn, Chris Carson, Tom Empey and Wayne Breau acted as pallbearers.

MARMORA HERALD

1 NOV, 1994

PAGE 2

BURKE, Katherine Louise (nee Shannon) —
Suddenly at Toronto on Saturday, June 10, 1995. Katherine, loving mother of Ron. Grandmother of Sean and his wife Leslie (Hartford, Connecticut), Sandra (Orangeville), Brian (Windsor, Ontario), and Christina (Toronto). Fondly remembered by great-grandchildren: Rossie, Andie and Brendan. Friends may call at the Turner & Porter Funeral Home, 436 Roncesvalles Ave. from 2-4 and 7-9 p.m. on Monday and Tuesday. Funeral service in the chapel on Wednesday, June 14 at 11 o'clock, with interment to follow.

PATRICK BURKE

Died February 27th, 1994

Husband of Flora

Father of John Burke - Los Angeles

Brother of Martin, Michael & Joseph

Predeceased by his brothers, William & Edward

Interred at Sanctuary Park Cemetery
1567 Royal York, Toronto, Ontario

Mr James A. Caskey, of Madoc, a prominent Holstein breeder and one of the leading farmers of the township was chosen as Progressive candidate in East Hastings to contest the riding in the coming election, at a convention held in Madoc, 28 October, 1921

Article from the 3 November, 1921 Marmora Herald

Obituary

WILLIAM BURKE

William Burke of Port Hope and formerly of Deloro passed away at Port Hope and District Hospital on December 31, 1982, at the age of 65.

Mr. Burke was born in Deloro to the late William Burke and Margaret Cassidy and is survived by his wife Carma Irene Young and children Tom of Port Hope, Clayton of Port Hope, Fay (Mrs. Jim Boddison) of Lindsay and Doreen (Mrs. Jim Swanton) of Lindsay.

He is also survived by brothers Martin of Toronto, Edward of Madoc, Patrick

of Toronto, Michael of Peterborough and Joseph of Peterborough.

Mr. Burke was a retired supervisor at Eldorado Nuclear in Port Hope and was educated in Deloro and Marmora High School. He was a member of St. Mary's Church in Port Hope.

Funeral mass was held on January 3, 1983, at Sacred Heart Church with Reverend J.P. Carty officiating. Pall bearers were Bill Owens, Bob Tanacke, Bill Perry, Gerald Fluke, Bill Smylie and Otis Fluke.

MARMORA HERALD

12 JAN, 1983

PAGE 21

JAMES J. FITZPATRICK

Residents of Stirling village and district were shocked to learn of the sudden death of James Jeffrey Fitzpatrick, who passed away following a heart attack late Thursday afternoon. Though not enjoying the best of health in recent weeks he had continued his occupational duties as mail courier between Stirling and Marmora each day with the same regularities. Death was due to a heart attack, which came several hours after he completed his daily run to Marmora.

Deceased, who was in his sixty-fifth year, was born at Halloway, son of the late Mr. and Mrs. John Fitzpatrick and came to Stirling about twenty-six years ago and was engaged in the hotel business as proprietor of the Kirby House Hotel. Twenty-one years ago he entered the mail service as courier between Stirling and Marmora. Serving with faithfulness and dependability he became a friend of all with whom he came in contact. Ever willing to go the second mile in the performance of his duties, many little favours were performed by him to accommodate those whom he served. An ardent sportsman, he was widely known in all parts of the county and his qualities of good citizenship made him one of the most popular residents of the village. He was a faithful member of St. James' Church.

Surviving is his bereaved wife, formerly Sarah Burke; one son, John Fitzpatrick, Belleville; and two daughters, Marguerite, Reg. N. and Marie of Stirling, also one sister, Mrs. Mary Shea, Stirling.

The funeral took place Saturday morning from the family residence to the Church of St. James the Minor where Requiem Mass was celebrated by Rev. Father LeSage. Interment took place in St. James cemetery.

MARMORA HERALD

11 JUN, 1942

PAGE 1

Roberta Eleanor Burke

Roberta Eleanor Burke passed away suddenly at her home in Newmarket Ont. on June 10, 1980. She was 45 years old.

Born in Marmora the daughter of the late James Allan McGarvey and Hazel Irene Henderson, Mrs. Burke attended Marmora Public and High Schools. She moved to Toronto with her parents in 1950. There she attended Marvel Hair Dressing School. She had lived in Newmarket for the last eight years.

Mrs. Burke is survived by her husband, Fred A. Burke, a son, Steven, and daughter, Melissa, both at home, one brother, Ronald McGarvey of Marmora, a sister, Oneta (Mrs. Orville Pack) of Dunnville Ontario, and several nieces and nephews.

She rested at the Roadhouse and Rose Funeral Home in Newmarket from June 10 to 13. The funeral was held in the Chapel June 13 at 11 a.m. with Rev. R. Raville and Rev. D. Hilks of the Free Methodist Church officiating. Interment took place in the Newmarket Protestant Cemetery.

MARMORA HERALD

16 JULY 1980

PAGE 14

DEATHS

BURKE: Edward at Belleville General Hospital on Tuesday, February 16, 1988. Edward Burke of Madoc in his 68th year. Husband of Rita Nolan. Father of Gary, Lindsay, Jim, Sudbury, and Brian, Bowmanville. Grandfather of Linda, Lisa, Shawn, Amber and Matthew. Brother of Pat, Toronto, Mike and Joe, Peterborough, Martin, Toronto, and William, deceased. The family will receive friends at the McConnell Funeral Home, Madoc from 7-9 p.m. Wednesday and 2-4 and 7-9 p.m. Thursday. Funeral service in Sacred Heart Roman Catholic Church, Marmora, on Friday February 19 at 11:00 a.m. Spring interment Sacred Heart Cemetery, Madoc.

MARRIED

BURKE—YOUNG

A very pretty wedding took place in Sacred Heart Church, Marmora, on Saturday, November 19th, when Carma Irene, only daughter of Mr. and Mrs. Thomas Young of Marmora Township, became the bride of William Burke, son of Mrs. Margaret Burke, of Deloro. Rev. Father H. J. Farrell officiated.

The bride, who was given in marriage by her father, was daintily attired in white duchess satin, with tulle veil and matching accessories. She carried a bouquet of bridal roses and maidenhair fern. Her bridesmaid, Joan O'Connor, was also prettily attired in pink corded silk and pale blue shoulder veil, with matching accessories. Her bouquet was also of bridal roses and maidenhair fern. Mr. Breen O'Connor performed the duties of best man.

Wedding music was played by the organist, Miss Rita Deacon. During the signing of the register, Miss Genevieve Shannon sang "Sweet Jesus."

Following the ceremony relatives and friends repaired to the home of the bride's parents where a buffet uncheon was served and the evening was spent in songs and speeches. The happy young couple were the recipients of many beautiful and useful gifts. They will reside in Deloro.

MARMORA HERALD
24 Nov 1938
864

OBITUARY

MRS. JOHN A. KETCHESON

Mrs. John A. Ketcheson passed away suddenly at the family residence in Avondale, Trent Road, in Sidney Township, on Friday afternoon, May 3rd. She was apparently well during the early part of the day and in the afternoon she was taken with a heart seizure which resulted in her demise.

The late Mrs. Ketcheson was born 73 years ago in Madoc township. Prior to her marriage she was Miss Margaret Jane Caskey, daughter of the late Mr. and Mrs. John Caskey. For many years she resided in the township where she was born and for the past twenty-six years she made her home at Avondale on the Trent Road, a few miles west of Belleville. In religion she was a member of Bridge Street United Church and was associated with the Women's Missionary Society. By all who knew her she was held in high esteem and many friends regret her sudden passing. About a year and a half ago Mr. and Mrs. Ketcheson celebrated their golden wedding.

Surviving her are her husband, Mr. John A. Ketcheson; one daughter, Mrs. Albert Kingston, Plainfield; and one sister, Mrs. Albert Reid, Belleville.

MARMORA HERALD
9 MAY, 1940
PAGE 1

Agnes Jennie McGregor

Agnes Jennie McGregor of Marmora Township died on June 28, 1979. Mrs. McGregor, the daughter of Elsworth and Clara Eva (Bebbee) Webster, was born in Oso Township on March 30, 1927.

She leaves her husband George Dean and daughters Barbara and Betty at home, R.R. 1 Havelock and her son Walter, also of R.R. 1 Havelock. She is also survived by grandchildren Wendy, Jason and Michael, sisters Viola Webster of Sharbot Lake, Mrs. Clarence Burke (Kathleen) of Clarendon, Mrs. Howard Burke (Madeline) of Sharbot Lake and a brother, Richard Webster of Tichbourne.

Funeral services were held from the Howden Funeral Chapel in Marmora on July 2 with Canon Shirley Wood presiding. Interment was in the Marmora Protestant Cemetery. Pallbearers were Elwin, Ken, Keith, and Brian Burke, Terry and Doug McGregor, Eric McInroy and Andy Kellett.

MARMORA HERALD
11 JULY, 1979
PAGE 10

Eva Brett

Mrs. Eva Brett, a resident of Madoc since 1927 and the wife of Walter Brett, who predeceased his wife in 1967, passed away at the Towers Nursing Home in Stirling on February 6th, 1980, after a lengthy illness.

Mrs. Brett was 92 years old, was born in Trenton to Mr. and Mrs. Thomas Goodsell and was married in Belleville. She is survived by a daughter Margaret (Mrs. Eric Dewart) of Peterborough, sons, Gordon (R.R. 1, Gilmour), Walter (Middle River, Nova Scotia), Harold (Madoc), Grant (Madoc), 13 grandchildren, 7 great-grandchildren and a sister, Mrs. Gertrude Burke, of Trenton, Ontario. She was a member of St. Peter's Presbyterian Church in Madoc and a life member of the Women's Missionary Society.

The funeral service was held at the McConnell Funeral Home in Madoc on February 8th, 1980, at 2 p.m. Reverend Robin Ross, of St. Andrew's Presbyterian Church in Trenton, officiated with interment taking place at the Carrying Place Cemetery. The pallbearers were David Brett, Wayne Dewart, Durland Adams, Cecil Taylor, Olaf Goodsell and Donald Goodsell.

MARMORA HERALD
13 FEB, 1980
PAGE 9

OBITUARY

JAMES H. CASKEY

Sunday evening, Feb. 24th, about 11 o'clock at the family residence, Perth road, the death occurred of an esteemed resident of Brockville and vicinity for the past 12 years, in the person of James Henry Caskey, native of Blairton, near Campbellford.

Deceased was a son of the late Thomas Campbell Caskey and his wife, who before her marriage was Miss Sylvia Bell. He was born on April 21, 1876, at Blairton and after residing in Campbellford for some time moved to Belleville from which city he came to Brockville 12 years ago as one of the early managers for Dominion Stores, Ltd., in this town. Later he engaged in the grocery business for himself, having a place of business at the corner of Buell and George streets, opposite the public library.

Failure of health necessitated a change of employment and for the past few years he was engaged as an inspector for the Department of Public Highways and spent the summers in the Central Ottawa Valley territory.

His wife, who before her marriage was Miss Alice Donald, survives with a son and a daughter, Donald Campbell Caskey, with the Canadian Bank of Commerce at Trenton, and Miss Helen Margaret Bell Caskey, at home. He also leaves a sister, Mrs. Thomas Stewart, of Blairton.

The late Mr. Caskey was an elder of the First Presbyterian church and a member of Salem Lodge, No. 368, A.F. & A.M. He took an active interest in church and fraternal affairs and for some years was a member of the executive board of the Brockville Softball Association. "Jim" Caskey, as he was known to his intimate friends, was a man of many fine qualities. He was honest and upright in all his dealings with the public, charitable to a marked degree, and in his association with athletic endeavors maintained a high standard of fairness which won for him many warm friends. He was a citizen of high type and his demise is regretted by all who knew him.

The funeral service was conducted at eight o'clock Tuesday evening at his late residence, Perth road, and the remains were taken to Campbellford for interment Wednesday.—Brockville Recorder.

OBITUARY

MRS. THOMAS STEWART

After a week's illness following a paralytic stroke, Mrs. Thomas Stewart passed away at her home near Blairton on Monday morning. Her maiden name was Margaret Caskey and she was a daughter of the late Mr. and Mrs. Thomas Caskey. She was in her 55th year. Her father conducted a store at Blairton for quite a number of years. The deceased was highly esteemed in the community in which she lived. She was industrious and kindly, but had not been in good health for some time.

Besides her husband, a former Marmora business man, she is survived by two daughters.

The funeral was held on Tuesday and was conducted by Rev. Mr. Kemp, of Havelock.

MARMORA HERALD
26 DEC 1935
PAGE 4

MARMORA HERALD
17 MAR, 1935
PAGE 1

OBITUARY

MRS. MARGARET BURKE

The death occurred in St. Joseph's Hospital, Peterboro, on Thursday, October 24th, of Mrs. Margaret Burke, widow of the late William Burke of Deloro. The deceased had been in failing health for the past two years and had been in the hospital for three months on the last occasion besides for a four month period earlier in this year. Native of Marmora Township, she passed away in the fifty-fifth year of her age. She was of a quiet nature and was well respected in this community as well as in Port Colborne, where she and her husband lived for awhile and where four of her six sons were born. Her husband predeceased her thirteen years ago. When health permitted, she was a faithful attendant at the Sacred Heart Church. She was a good knitter and even during her illness, aided the work of the Deloro branch of the Red Cross.

She is survived by six sons: William Marmora; Martin, Toronto; Edward, Peterborough; Patrick, Deloro; Michael Peterboro and Joseph, Deloro. She is further survived by her mother Mrs. John O'Brien, Marmora; two sisters, Mrs. Edward Glenfield, (Rachel) Toronto; and Mrs. George Dyers (Mildred), Belleville; three brothers, Henry, George and James Empey, all of Marmora, and one half brother William O'Brien, Cloyne. Requiem Mass was held at the Sacred Heart Church, Marmora, on Saturday October 26th at 10 a.m. with Rev. Father H. J. Farrell, officiating. Interment followed in the Sacred Heart Cemetery.

The pall bearers were four sons of the deceased, Martin, Edward, Patrick and Michael Burke and Patrick Bertrand and Leo Doyle.

X X X X X

WILLIAM BURKE

Following a lingering illness William Burke passed away at his home at Deloro Sunday evening in his fifty-first year. He was born in London, England, but came to Canada quite a number of years ago. For a number of years he worked at Deloro, then moved to Port Colborne where he resided for twelve years. About six years ago he returned to Deloro and again obtained employment there, where he was well liked owing to his friendly manner. The deceased is survived by his wife, a daughter of Mrs. John O'Brien, of Marmora, and six children all at home.

The funeral was held Tuesday morning and was largely attended. Requiem Mass was conducted in Sacred Heart Church by Rev. Father Keeley. Interment took place in Sacred Heart Cemetery. The pall-bearers were H. A. McNally, J. Ethier, J. Doyle, C. Tandy, W. Simmons and F. Wiggins.

11 JAN 1934

MARMORA HERALD

31 OCTOBER 1946
MARMORA HERALD

Obituary

JOHN BURKE

Following a brief illness, death summoned Mr. John Burke, one of the oldest residents of Belleville, on Sunday afternoon. Mr. Burke was born in Quebec in 1830 and spent the greater portion of his life in lumbering in Quebec and farming in Hastings County. He lived with his son-in-law and daughter, Mr. and Mrs. J. J. Fitzpatrick of Stirling for some years and about three years ago went to live with another daughter, Mrs. Peter Johnson of Belleville. Mr. Burke owned valuable property on Edward St.

He leaves his widow and a family of five sons, Thomas and Patrick of Niagara Falls, William in Ottawa, James in Hibbing, Minnesota and John at Sault Ste Marie. Also four daughters, Mrs. J. J. Fitzpatrick, Stirling, Mrs. P. Johnson of Belleville, Mrs. Mulloy of Niagara Falls, N. Y., and Mrs. Jandrew of Stockdale. Mr. Burke's death was the first break in the family circle. There are several grand children. Desmond Burke of Ottawa, last year's winner of the King's prize at Bisley is a grandson.

The remains were brought to Stirling yesterday morning for interment in Stirling cemetery.

STIRLING NEWS

ARCUS

26 MAR 1925-PG 5

OBITUARY

JOHN BURKE

John Burke, aged 95 years, passed away in Belleville on Sunday, March 22nd, at the home of his daughter, Mrs. Johnson. He was born in Quebec in 1830 and for many years was engaged in lumbering operations.

A widow, five sons and four daughters survive. Also thirty grandchildren and some great-grandchildren. Desmond Burke, winner of the King's Prize at Bisley last year, and at present a student at Queen's, is a grandson of deceased.

Mr. Burke was a former resident of Marmora.

26 MAR 1925

MARMORA HERALD